

Cosy

Designer	Francesco Rota
Year	2017-2024



Cosy originates from the idea of providing high comfort through a reassuring, warm, and familiar embrace. Its timeless lines, soft and enveloping design, adaptability, and versatile nature make Cosy a padded piece that brings maximum comfort across a variety of settings, environments, and arrangements. This family of upholstered furniture comprises modular elements, featuring seats in different depths and lengths, backrests available in various heights, both aligned and corner configurations, and a selection of accessories such as coffee tables and additional cushions.

The system's versatility allows for customisable compositions, adapting to specific needs and blending seamlessly with any context, style, or preference.

Frame

Bearing frame made of solid and multilayer wood, base with elastic belts, feet and concealed hook system. Padding in variable-density foam polyurethane padding and polyester wadding cover.

Cover

Fabric or leather, removable cover.

Cosy finishes

Cover

B Maia
C Garc
D Natura
F Parigi
G Moss
■ Nabuk

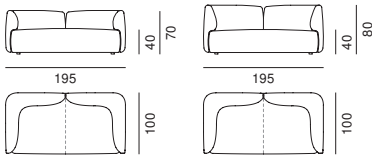
B Time TL15
C Noah
D Perth
F Savanna
G Sunday
■ Nuvola

B Todi
C Taiga
E Paradise
G Hero 2
G Zero
■ Leather

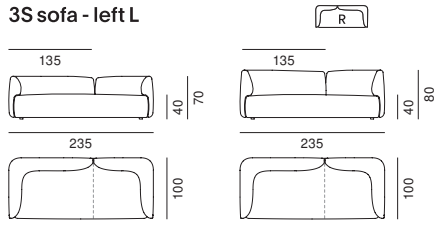
C Anima
D Dune
E Portofino
G Keiga
■ Anilina

Cosy dimensions

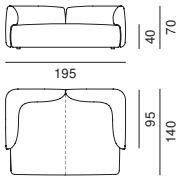
2S sofa



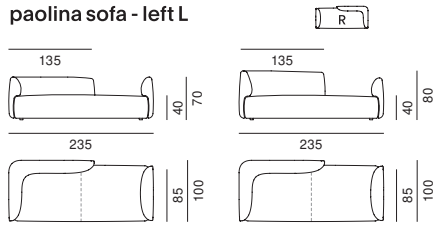
3S sofa - left L



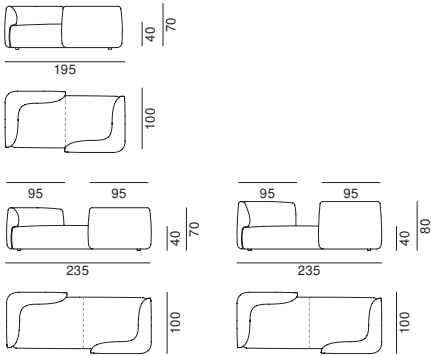
deep sofa



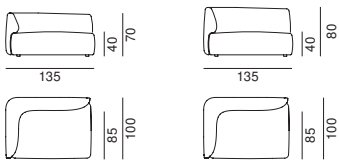
paolina sofa - left L



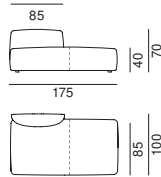
visavi sofa



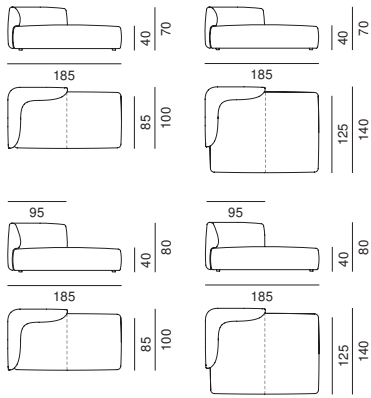
padded modular element XS - left L



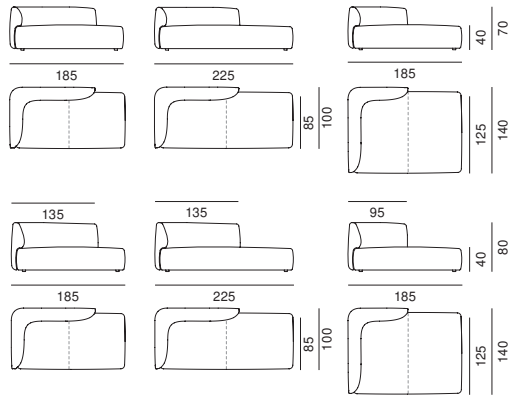
padded modular element S - left L



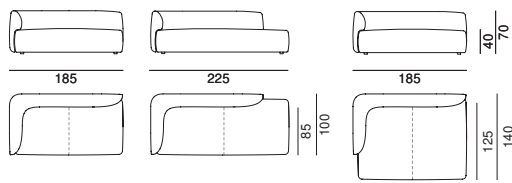
padded modular element M - left L



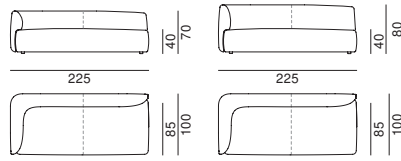
padded modular element L - left L



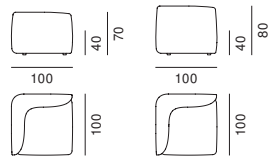
padded modular element XL - left L



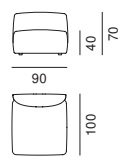
padded modular element XXL - left L



padded corner modular elements

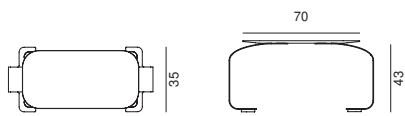


intermediate modular elements

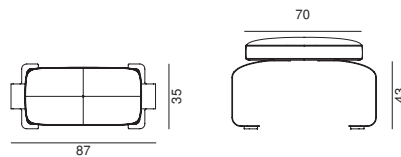


Accessories

low table
with curved legs to be fixed to the seating module,
area without backrest (side)



light armrest
with curved legs to be fixed to the seating module,
area without backrest (side)



..... LEATHER UPHOLSTERY