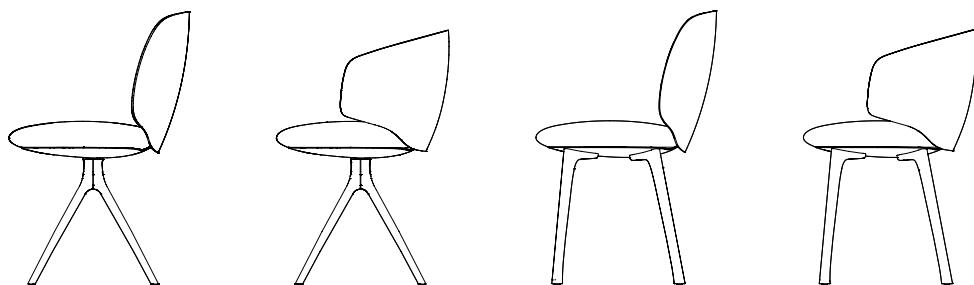

Istruzioni di montaggio
Assembly Instructions
Montageanleitungen
Instructions de montage
Instrucciones de montaje

02.2023

Backrest replacement
Bumpers replacement

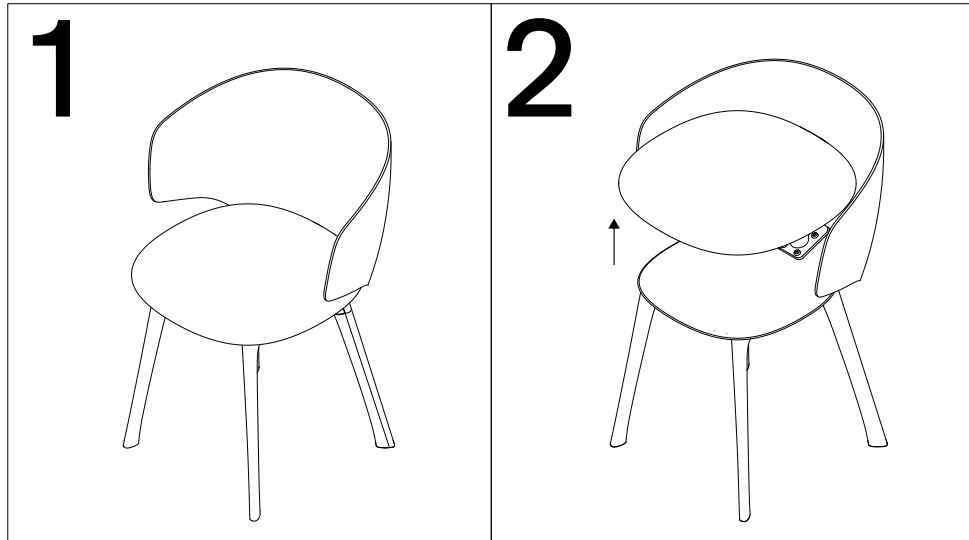
p 2
p 4



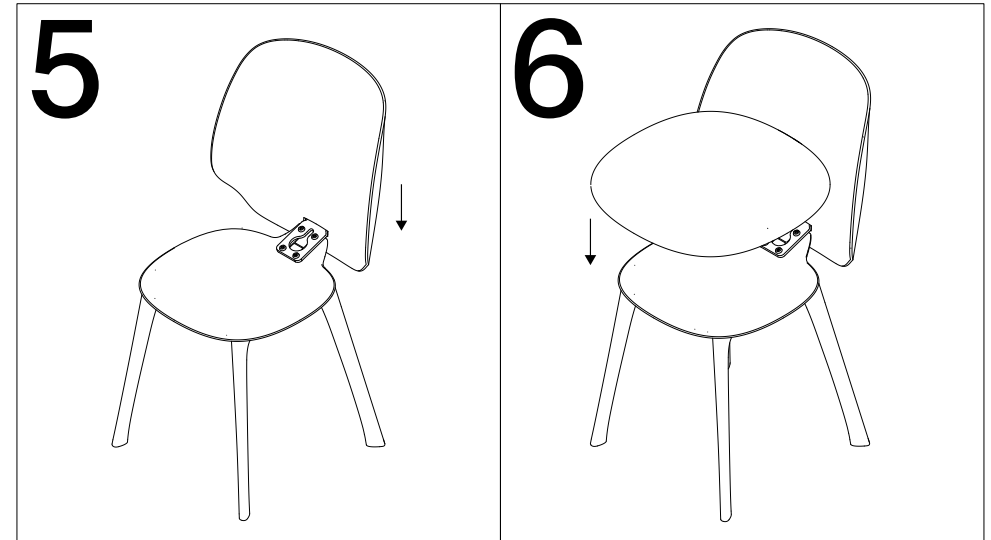
Universal

Universal

Backrest replacement

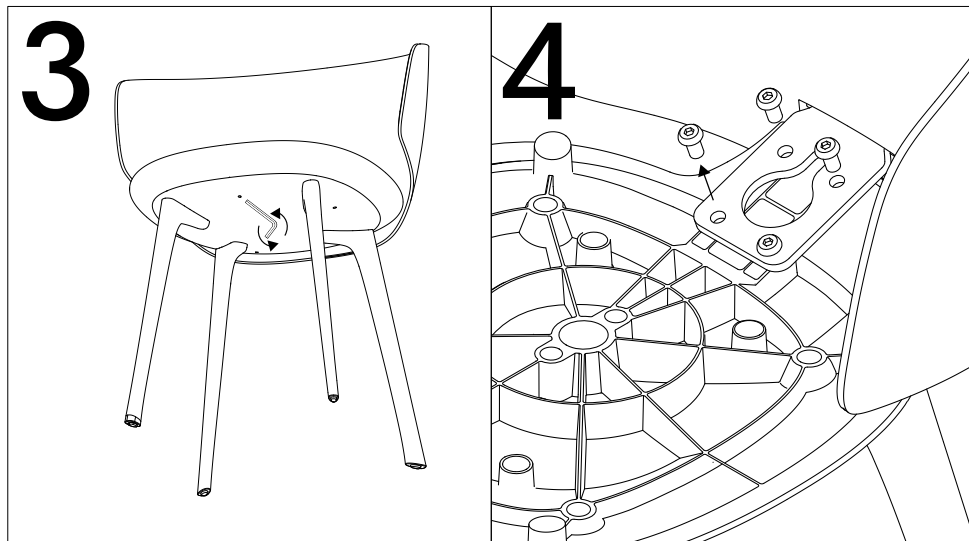


Remove the seat from the base.



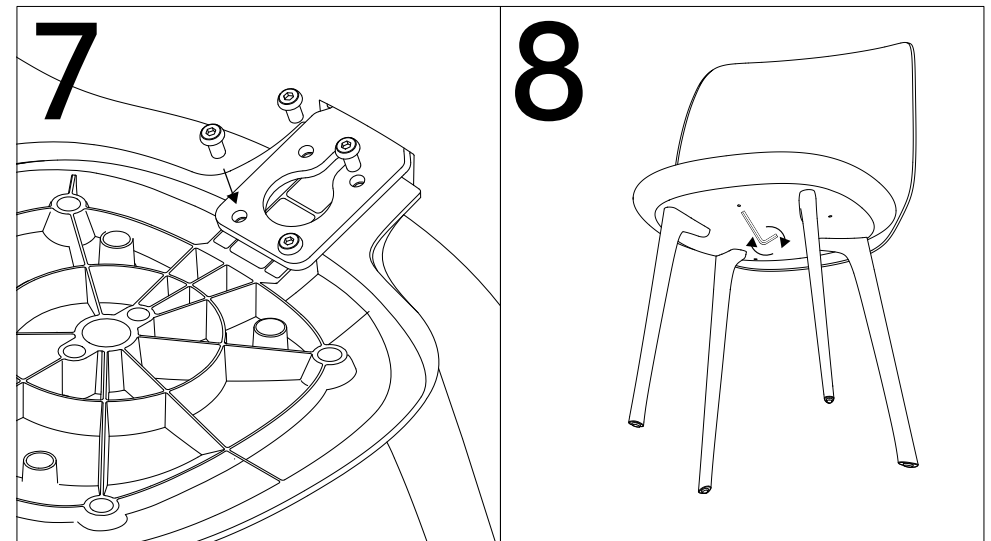
Apply the new backrest.

Apply the seat. To be sure it is correctly positioned, make a slight pressure.



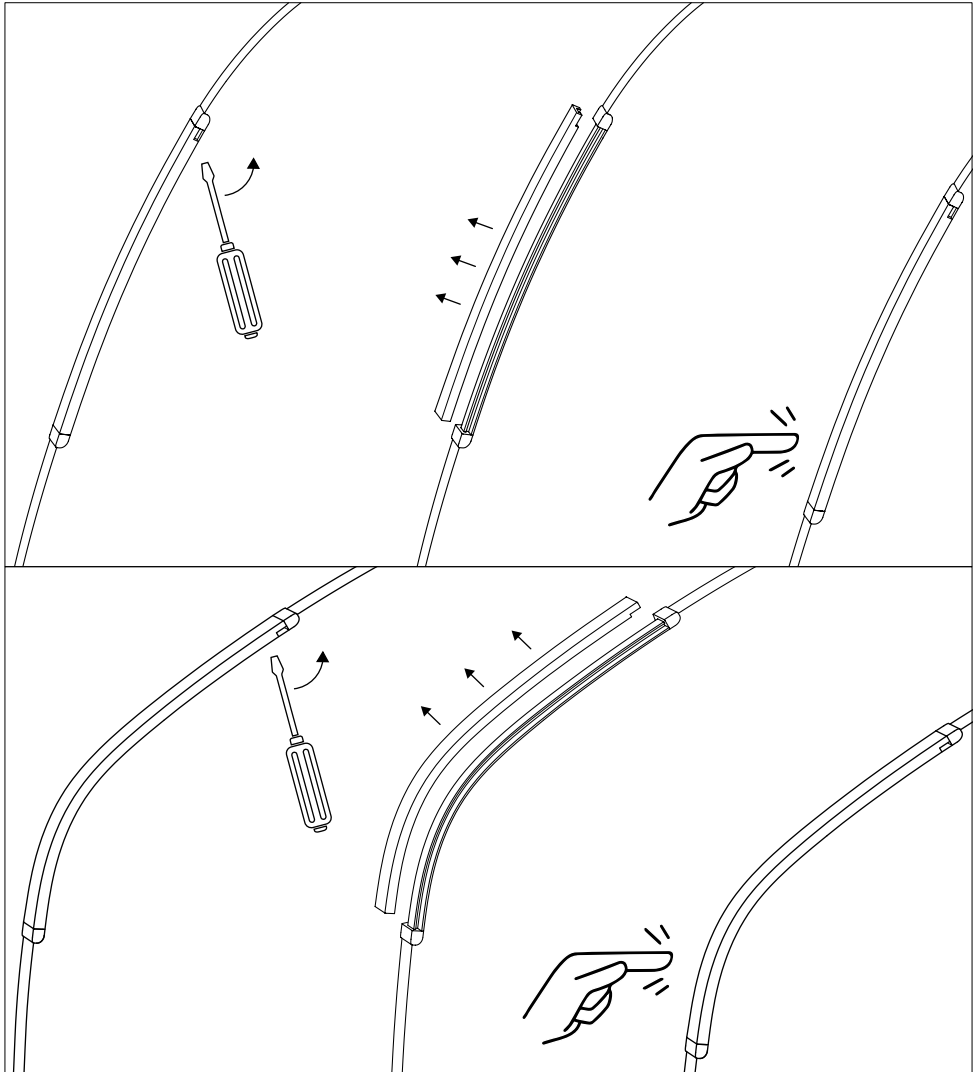
Unscrew from under the seat with a small screwdriver to open the seat.

Remove all the four screw like the image using an allen key n°6. After remove the backrest.



Apply well the four screws removed before with the allen key n°6.

Close the seat with the base using the allen key n°4.



Remove the bumper with a small screwdriver.
Remove the worn out bumper. Apply the new bumper.
To be sure it is correctly positioned, make a slight pressure.