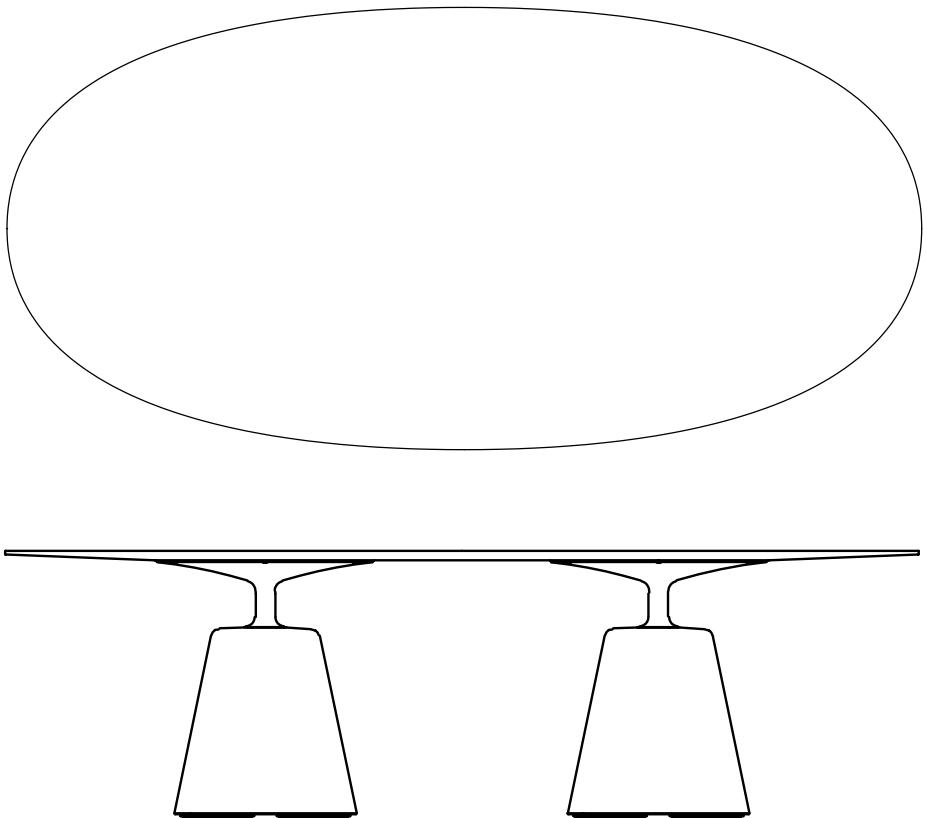


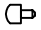
Istruzioni di montaggio
Assembly Instructions
Montageanleitungen
Instructions de montage
Instrucciones de montaje


09.2024

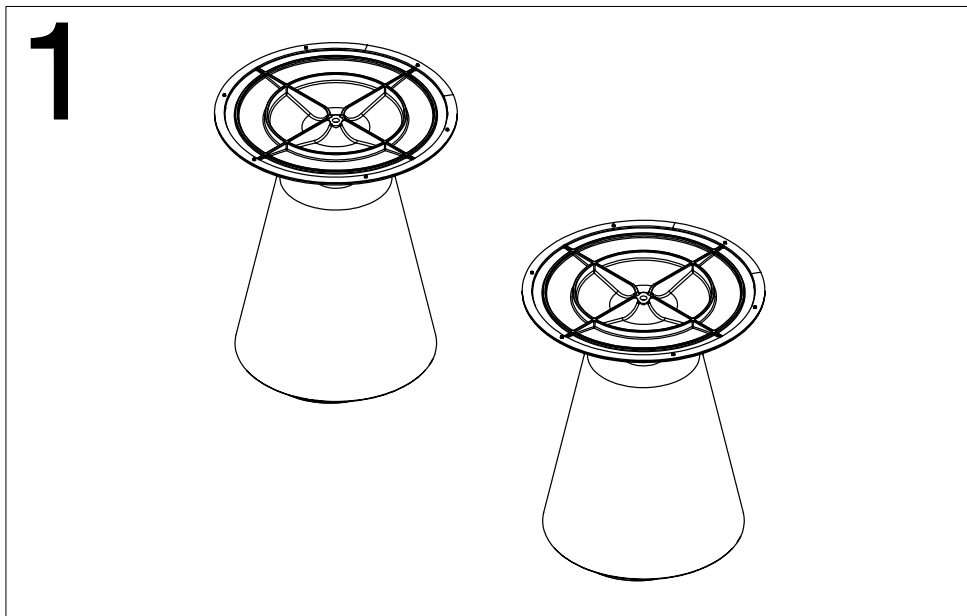


Rock Table Oval

Kit ferramenta
Hardware kit
Hardware-kit
Kit de matériel
Kit de hardware

A  M6×10

D 



Make the table bases parallel to each other.

Rock Table Oval

2

Table dim.
250×125 cm

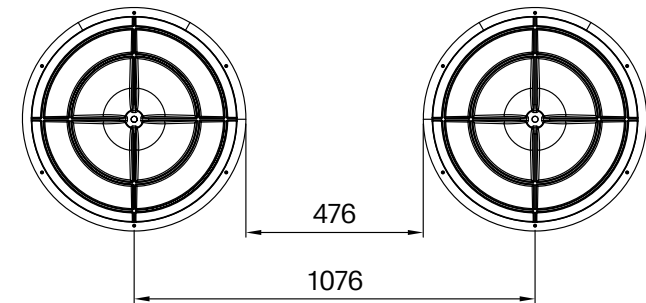
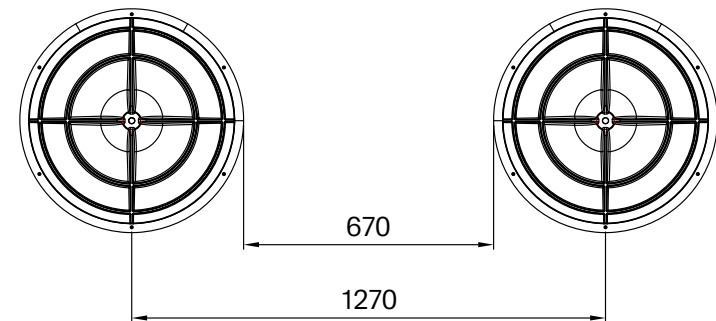
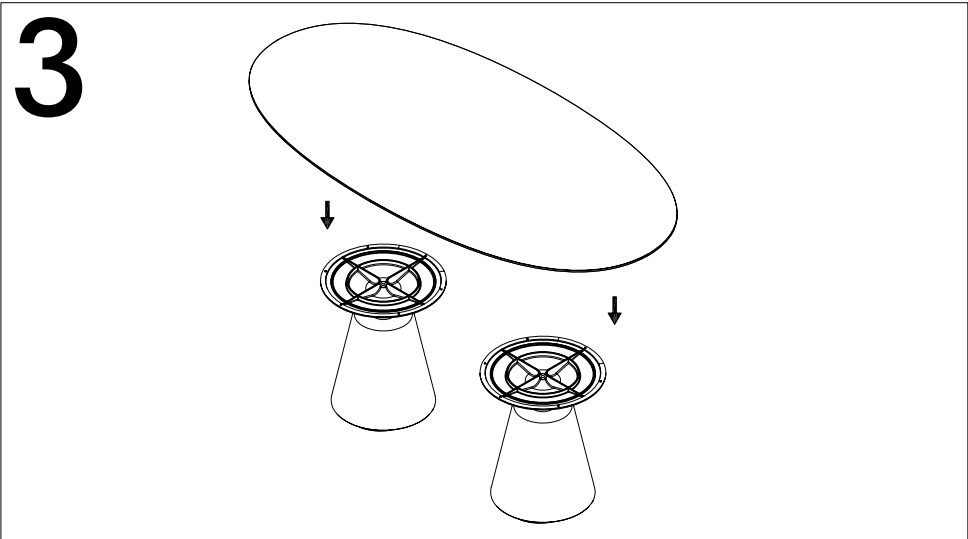


Table dim.
300×145 cm

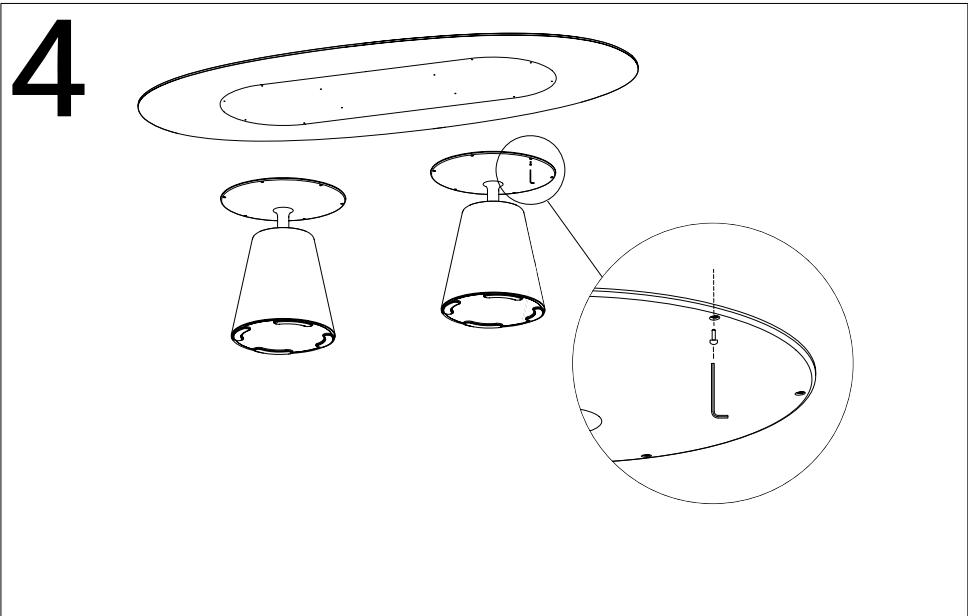


Measure the exact distance between the bases.

Rock Table Oval



Place the top on the bases, centering the holes.



Secure the top with the M6x10 screws available in the hardware kit.