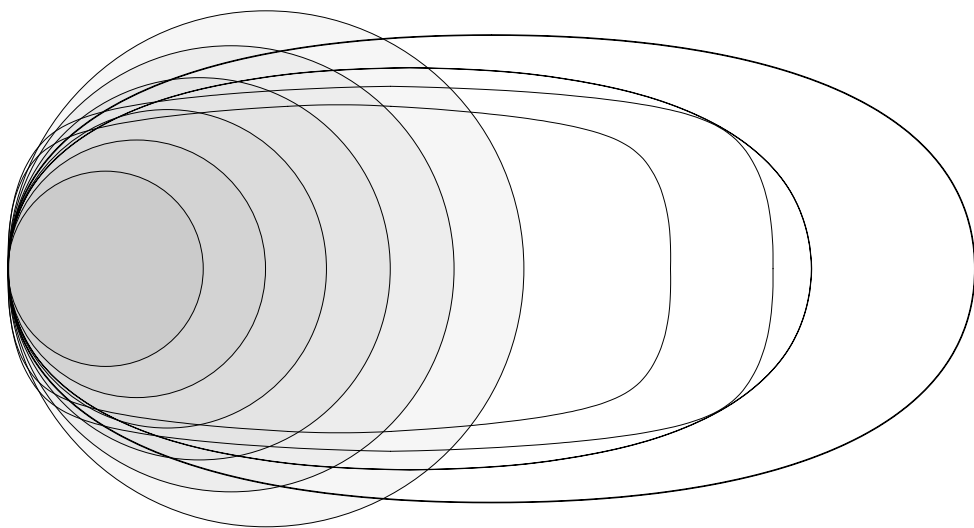

Istruzioni di montaggio Assembly Instructions Montageanleitungen Instructions de montage Instrucciones de montaje


05.2024

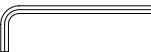
Rock Table H73	p 3
Rock Table H110	p 4
Rock Table with glass top	p 5
Rock Table Oval	p 6
Rock Table Mini	p 9
Rock Table Maxi	p 10



Rock Table

Kit ferramenta
Hardware kit
Hardware-kit
Kit de matériel
Kit de hardware

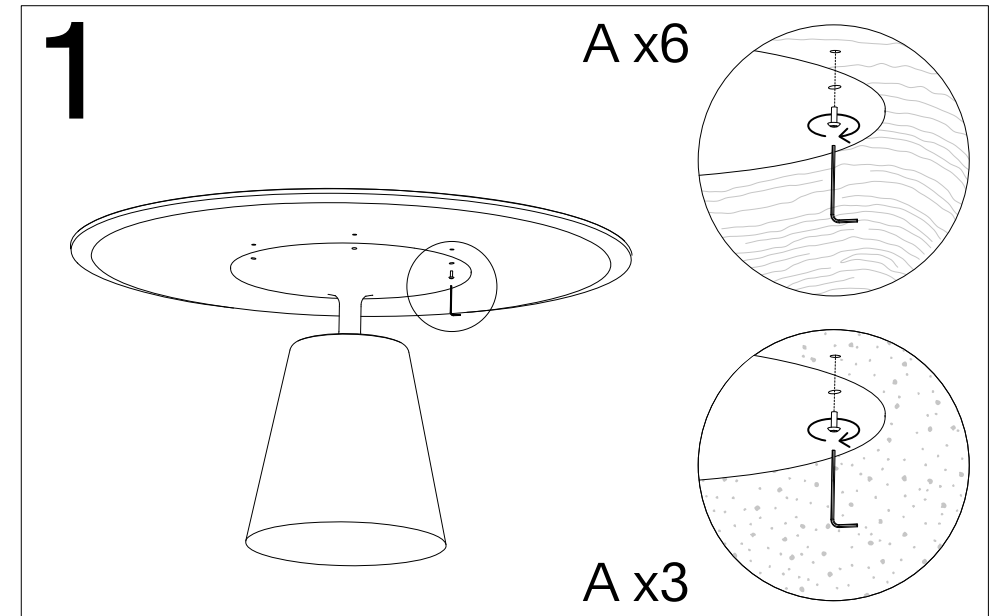
A 
M6×10

B 
EX 6

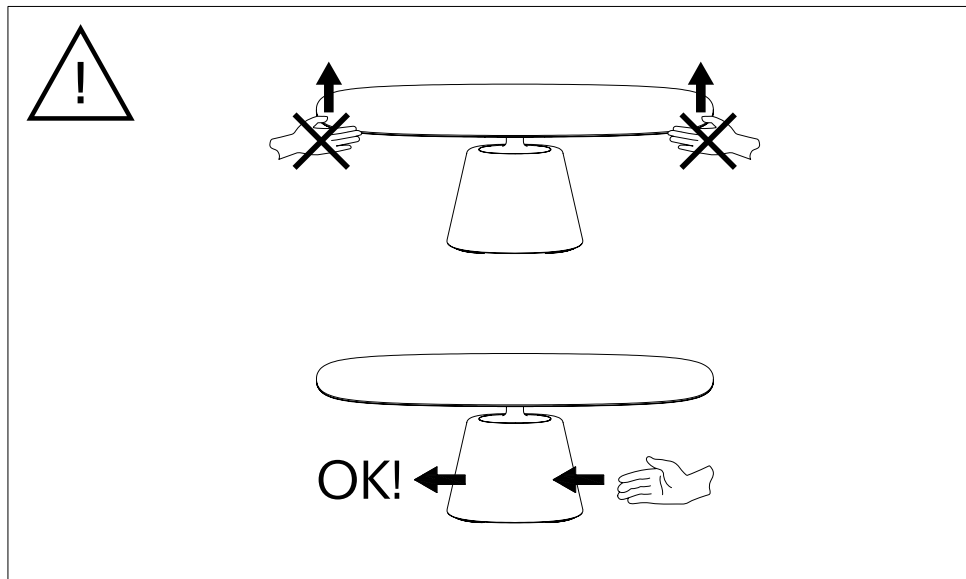
C 
Adhesive strip

Rock Table

H73



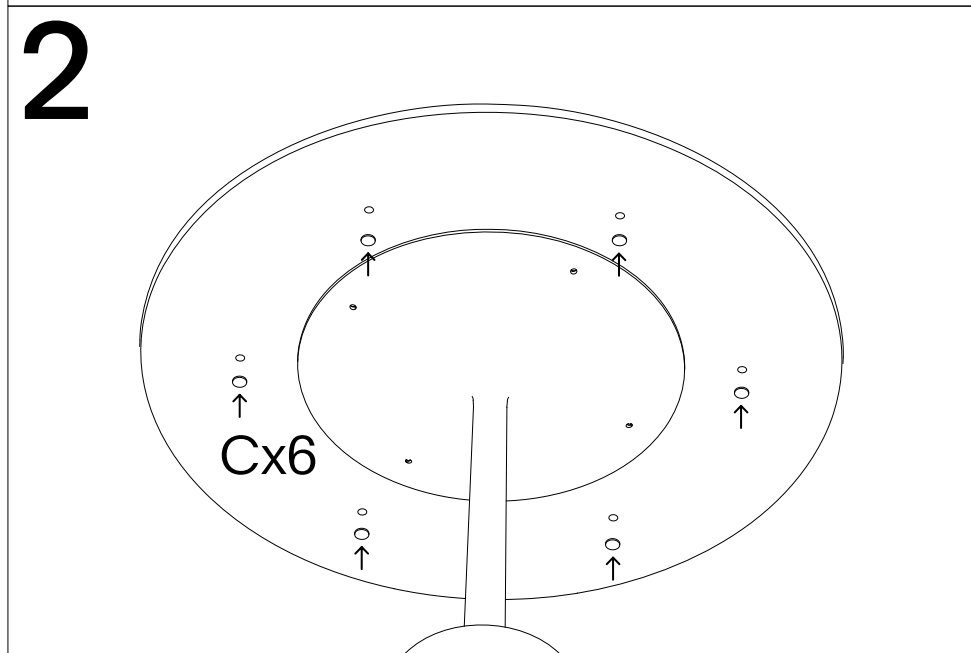
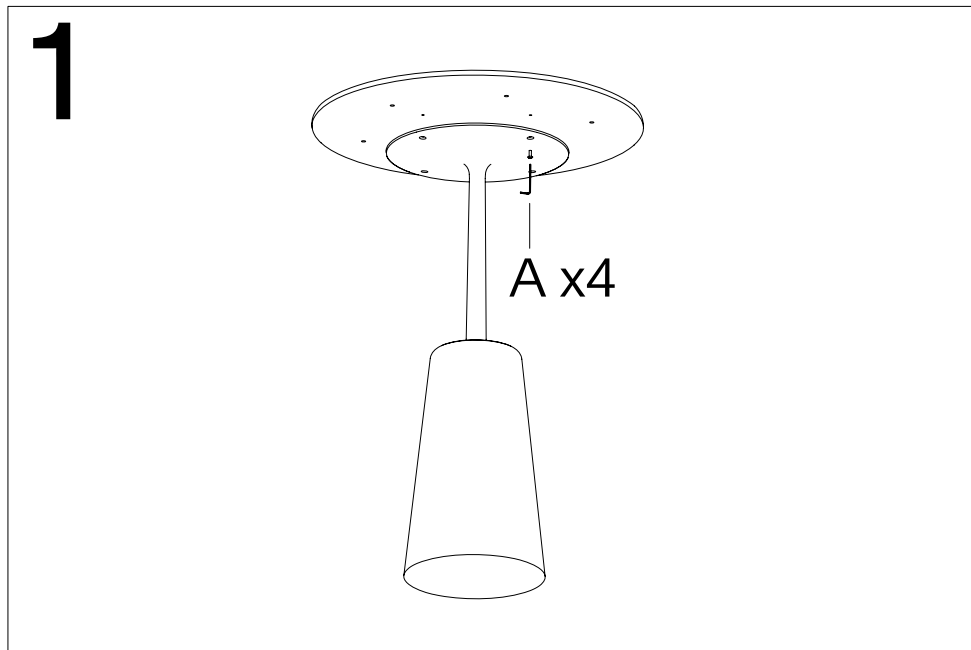
Only with tables H73: 6 screws for the wooden top, 3 screws for the cement top.



ATTENTION, FOR THE ENTIRE ROCK TABLE COLLECTION
Do not move the table from the top. If necessary, move the table from the base.

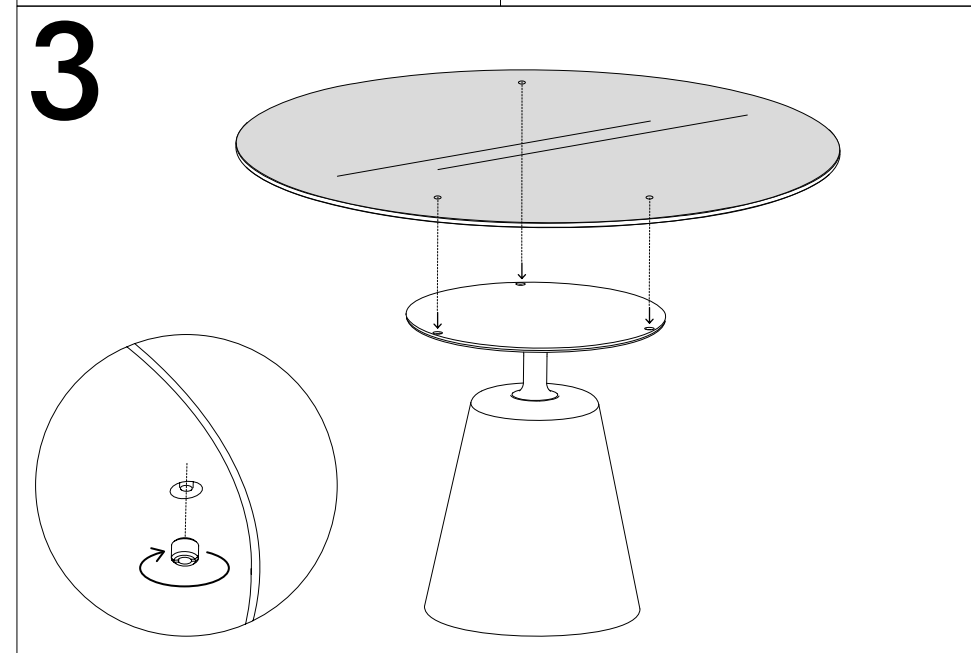
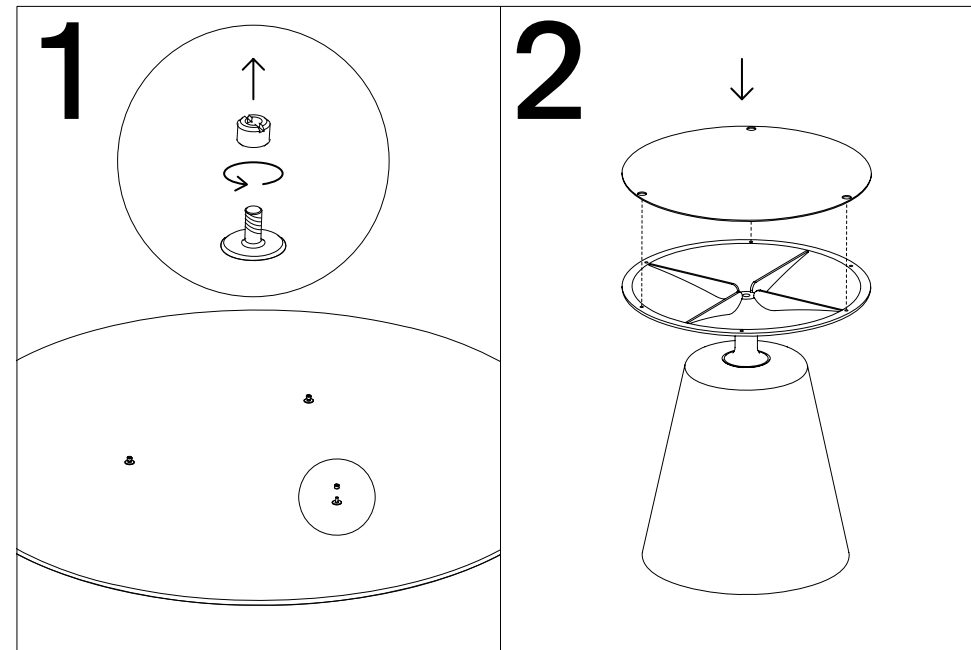
Rock Table

H110



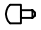
Rock Table


with glass top



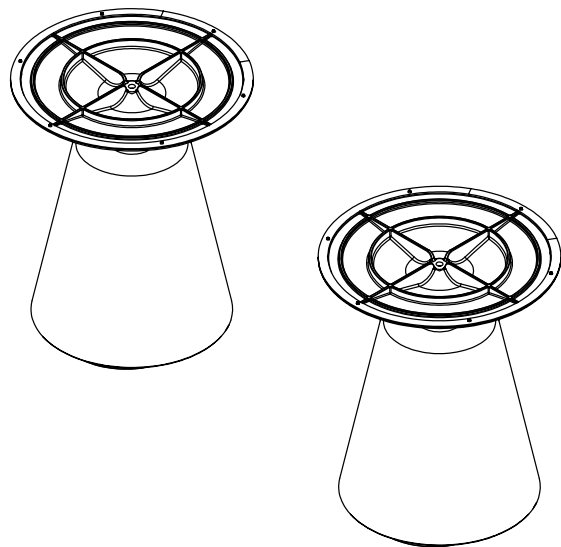
Rock Table Oval

Kit ferramenta
Hardware kit
Hardware-kit
Kit de matériel
Kit de hardware

A  M6×10

D 

1



Make the table bases parallel to each other.

Rock Table Oval

2

Table dim.
250×125 cm

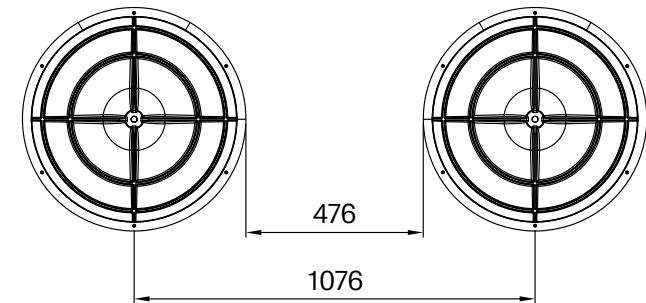
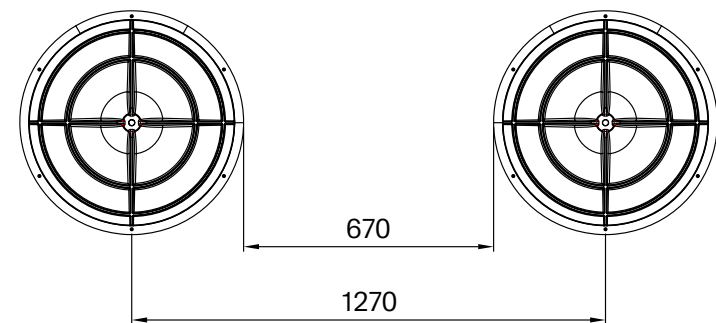


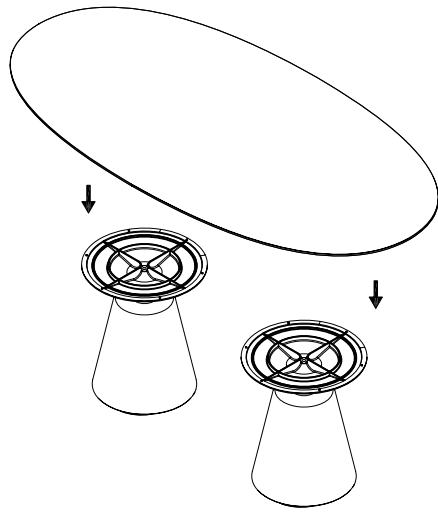
Table dim.
300×145 cm



Measure the exact distance between the bases.

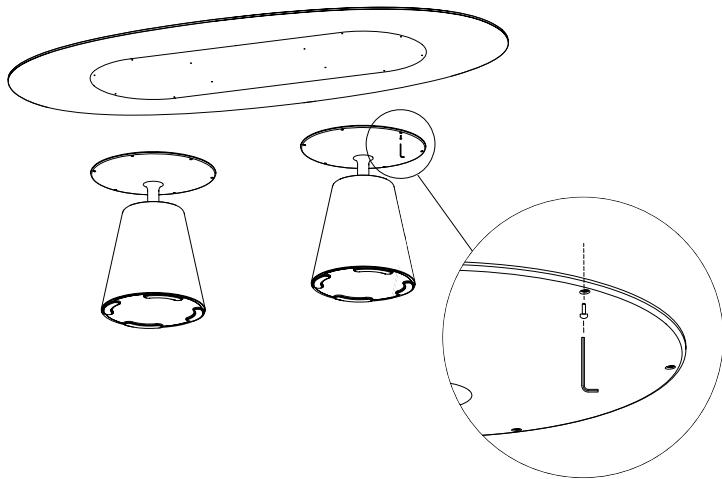
Rock Table Oval

3



Place the top on the bases, centering the holes.

4



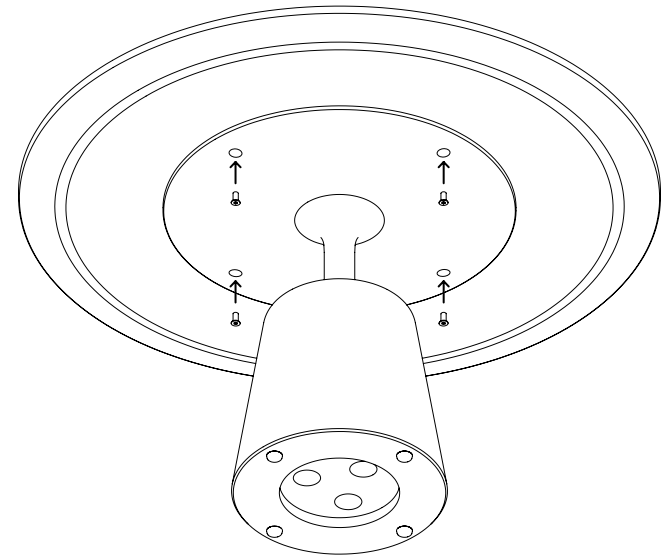
Secure the top with the M6×10 screws available in the hardware kit.

Rock Table Mini

Kit ferramenta
Hardware kit
Hardware-kit
Kit de matériel
Kit de hardware

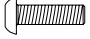
A 
M6×12 X4

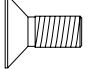
1

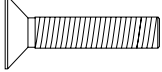


Rock Table Maxi

Kit ferramenta
Hardware kit
Hardware-kit
Kit de matériel
Kit de hardware

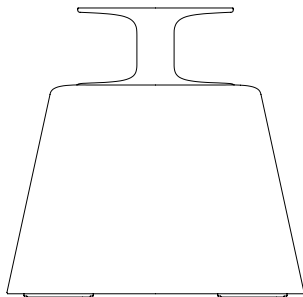
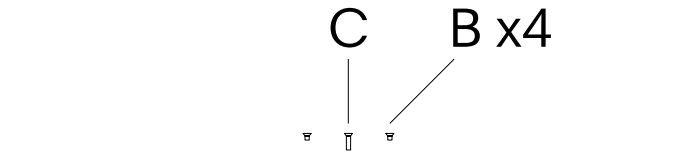
A 
M6×20 X12

B 
M10×16 X4

C 
M10×40 X1

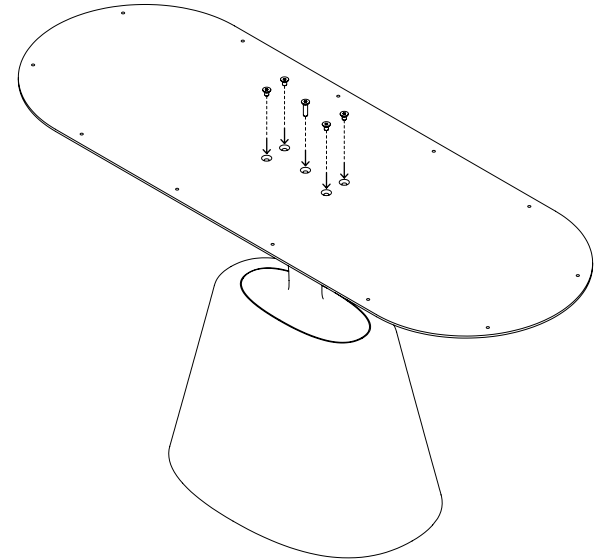
1

C **B x4**

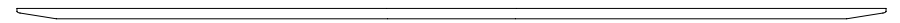


Rock Table Maxi

2



3

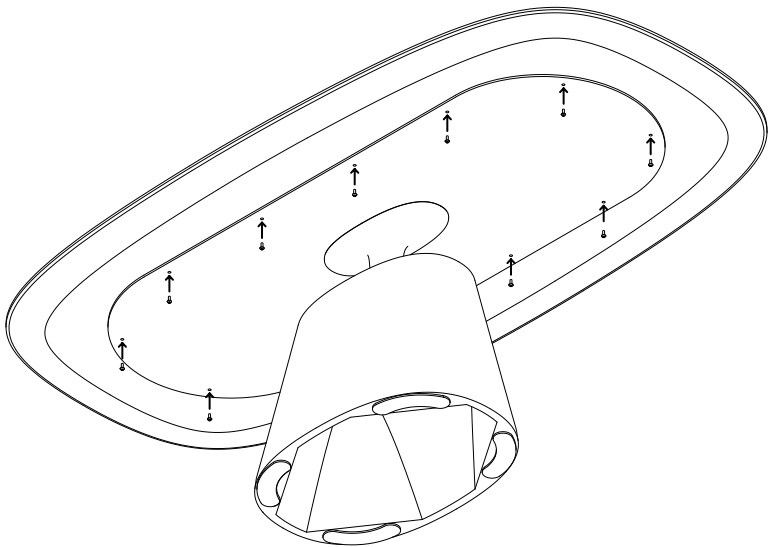


A x12



Rock Table Maxi

4



For cleaning and maintenance, please see the information on the website www.mditalia.it

