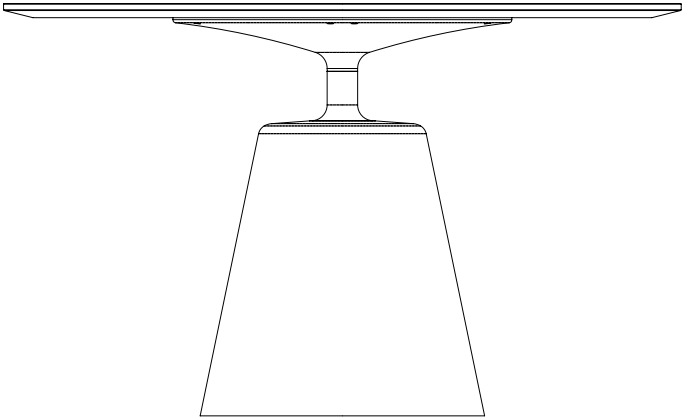


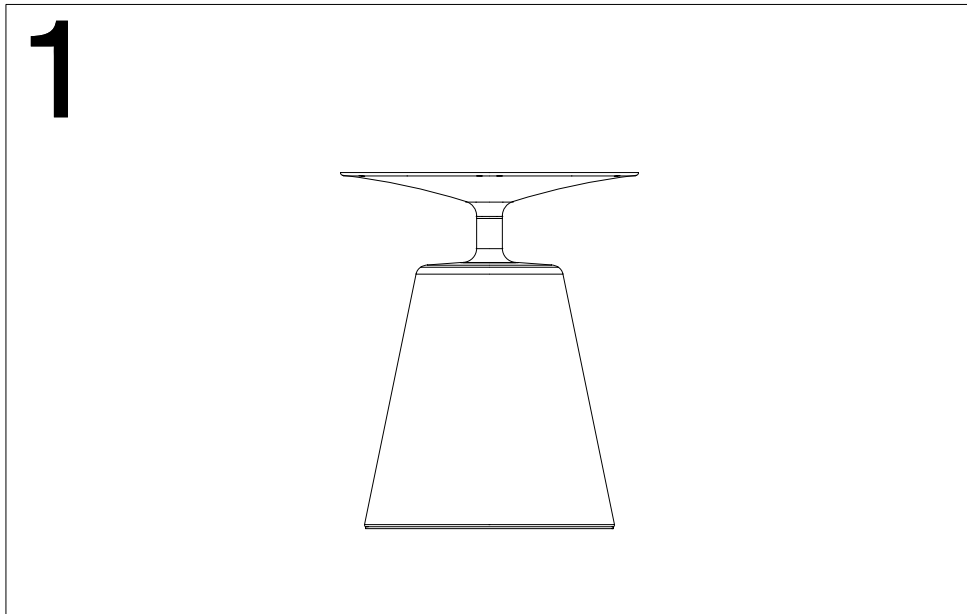
Instructions for disassembly

12.2023

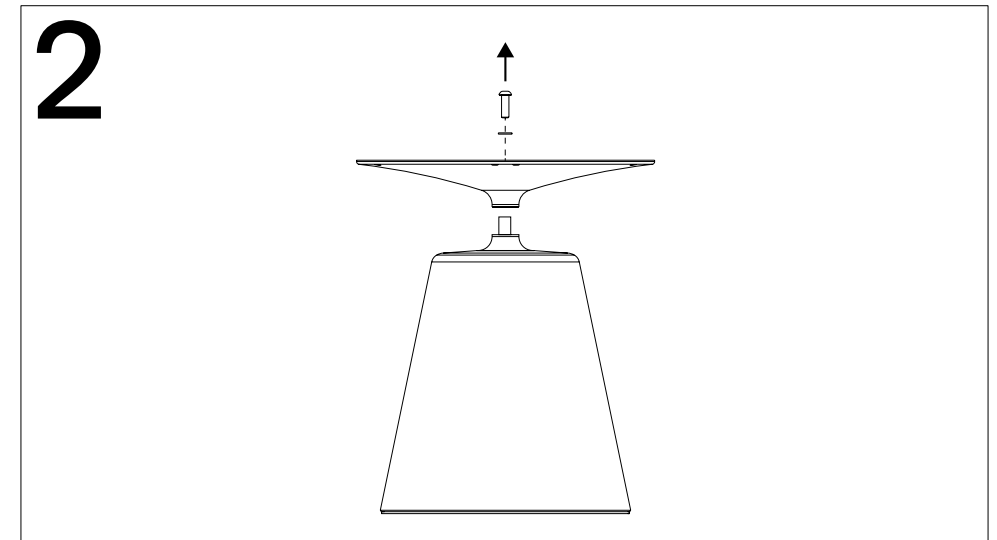


# Rock Table base

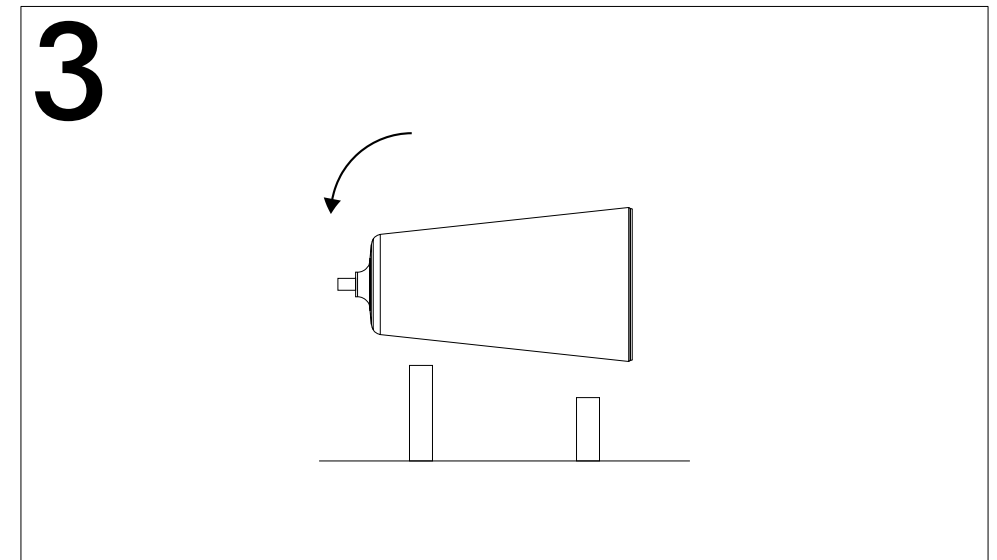
## Rock Table base



Carefully remove the top.



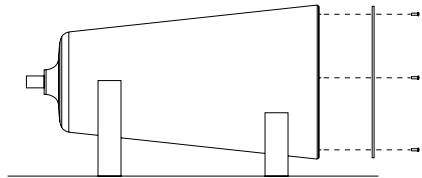
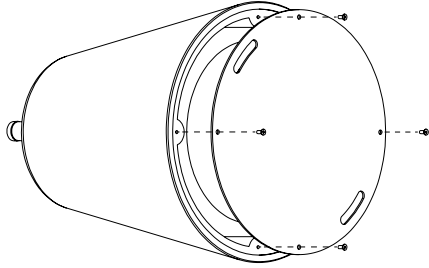
Remove the upper part of the table support (flange).



Lay the base horizontally, using supports to hold it in place. Make sure the supports selected for the base will not scratch or damage the surface of the base itself (we suggest to put a cloth in between).

## Rock Table base

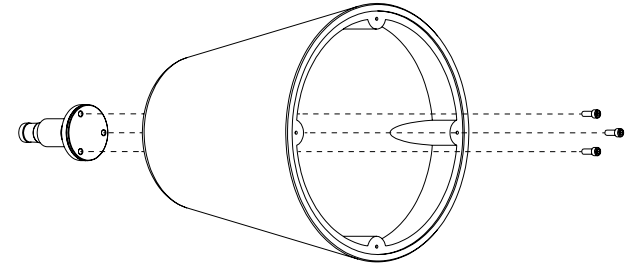
4



Remove the screws that hold the bottom attached to the base.

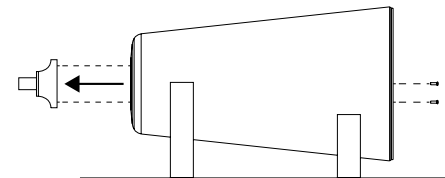
## Rock Table base

5



Remove the screws that hold the stem to the base.

6



Remove the stem.