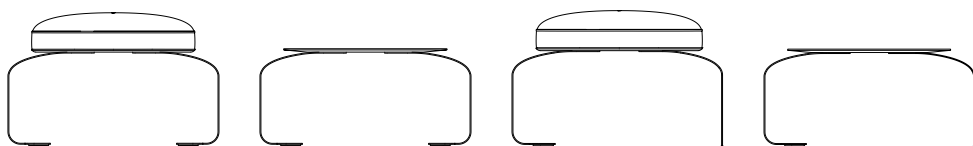


Istruzioni di montaggio  
Assembly Instructions  
Montageanleitungen  
Instructions de montage  
Instrucciones de montaje

06.2023

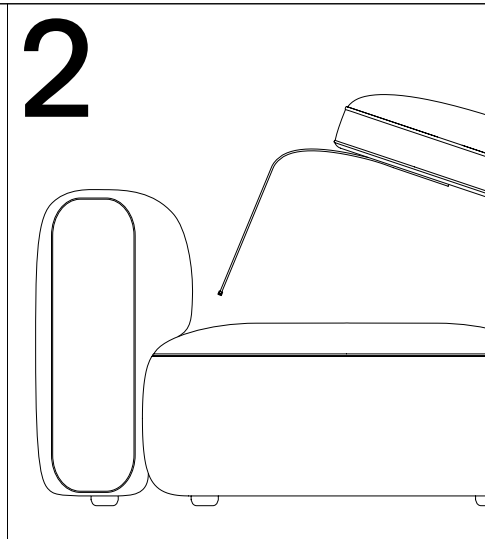
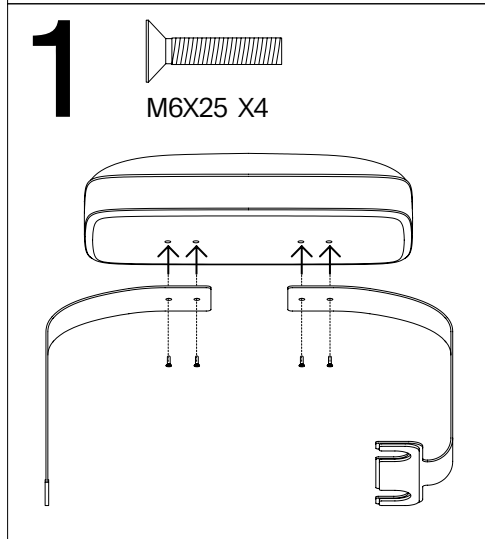
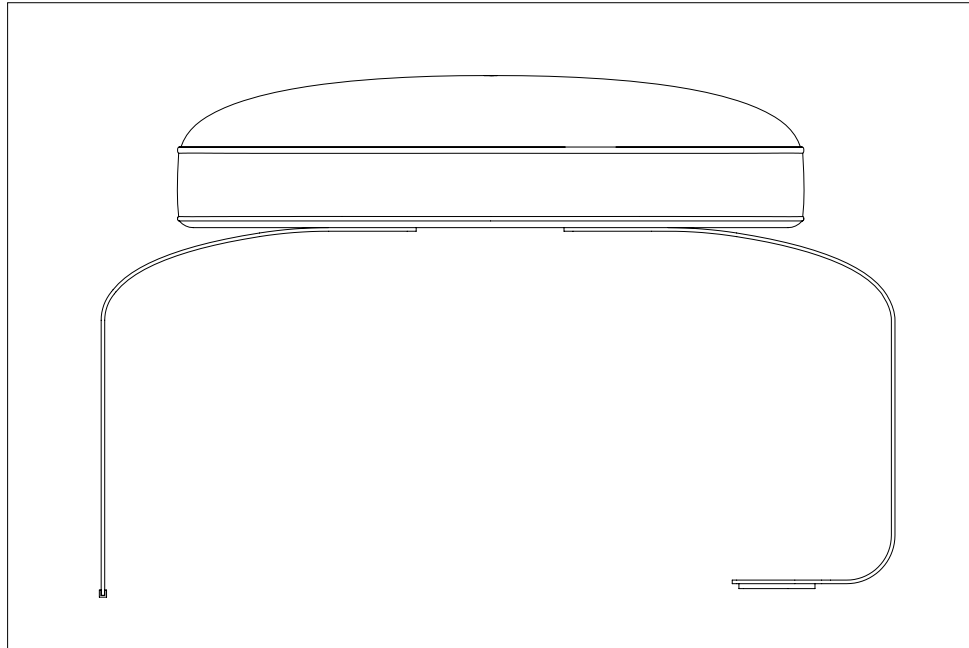
Light armrest  
Low table

p 2  
p 6



# Light armrest

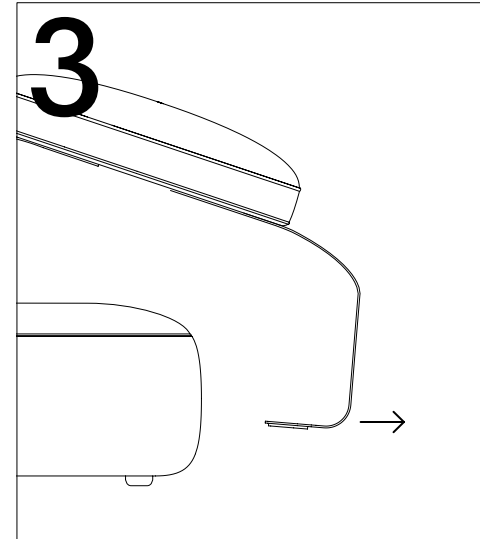
# with straight leg



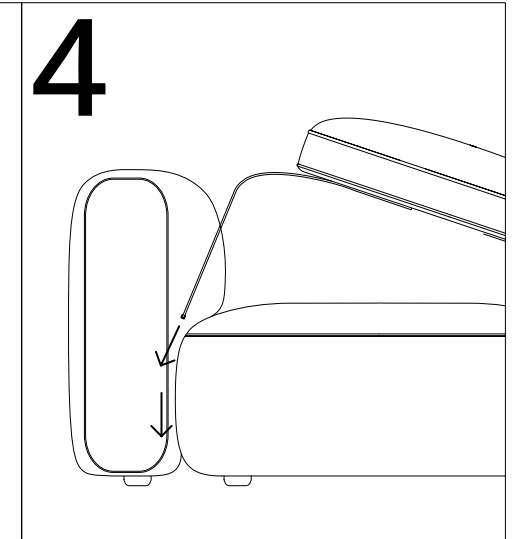
Point the straight leg between the backrest and the seat.

# Light armrest

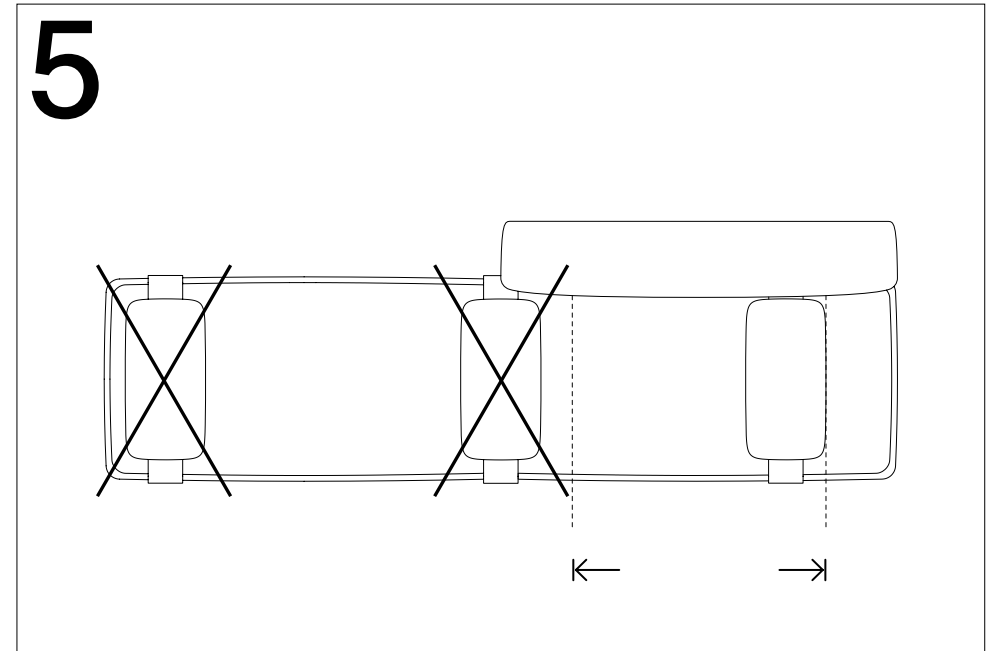
# with straight leg



Extend the curved leg.

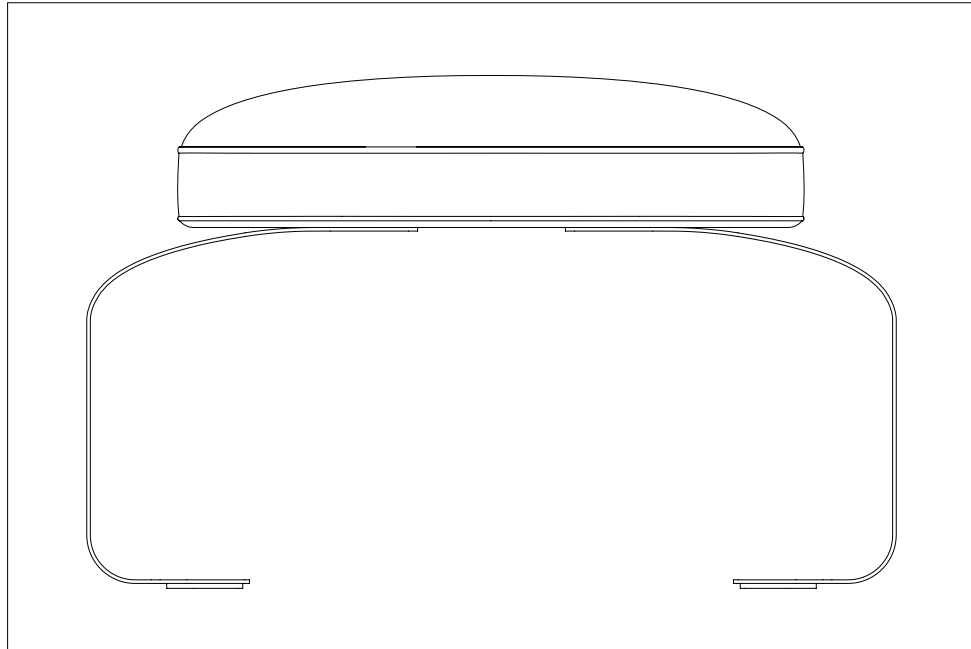


Push the the straight leg down without damaging the sofa.

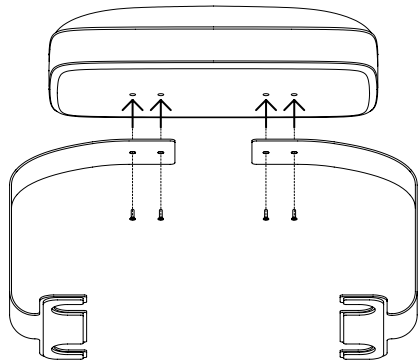


Light armrest

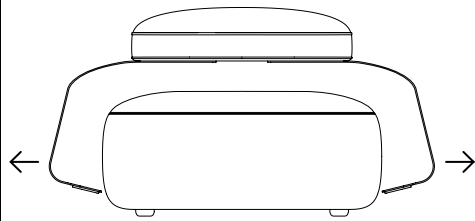
with curved legs



**1**  
M6X25 X4

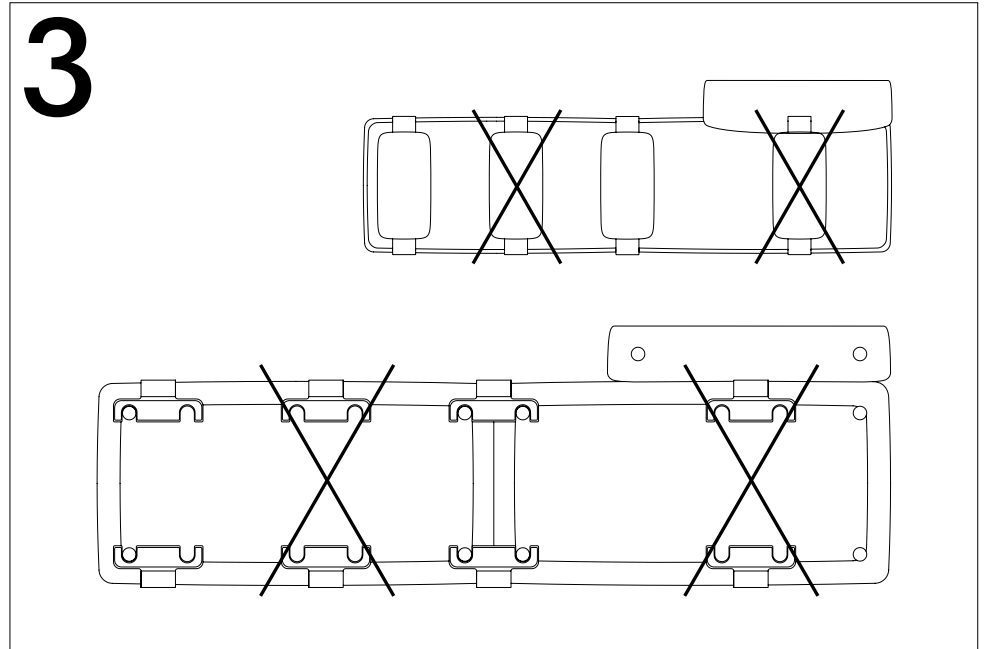


**2**



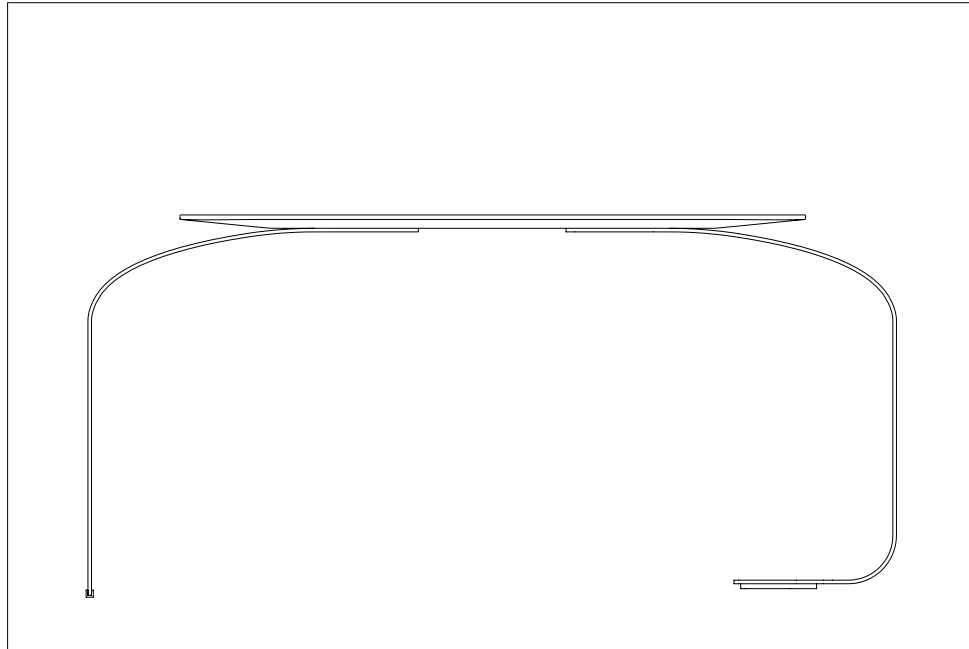
Light armrest

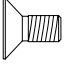
with curved legs

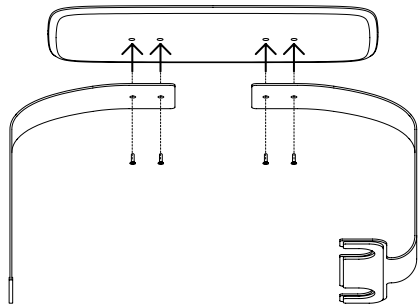


# Low table

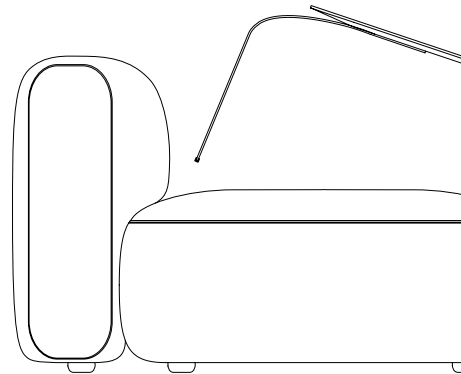
# with straight leg



**1**  M6X8 X4



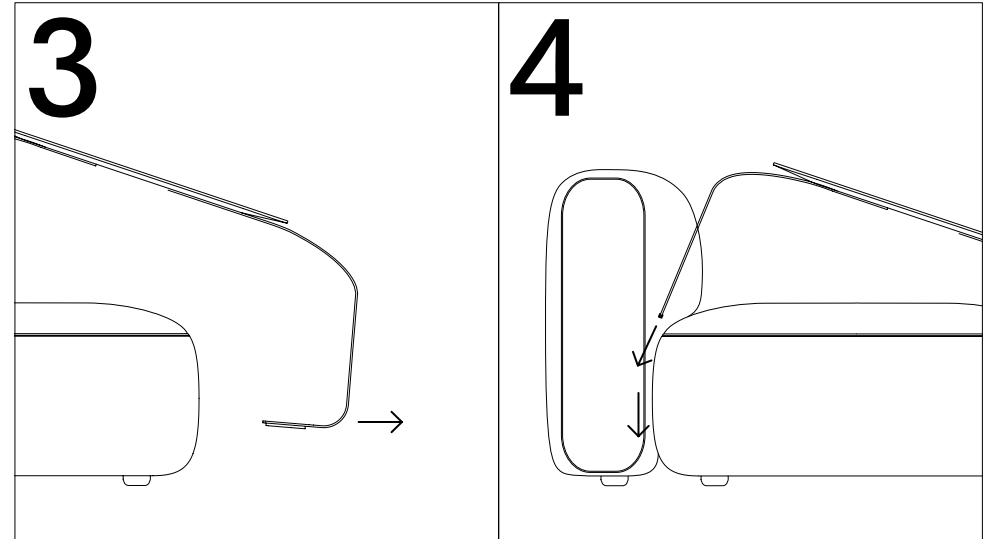
**2**



Point the straight leg between the backrest and the seat.

# Low table

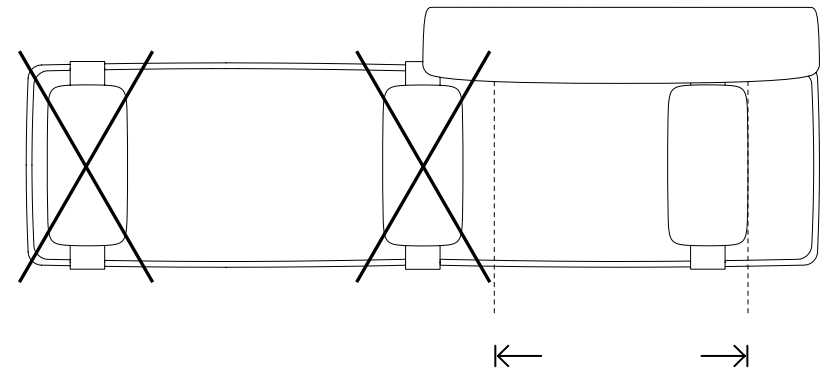
# with straight leg



Extend the curved leg.

Push the the straight leg down without damaging the sofa.

**5**



# Low table

# with curved legs

